

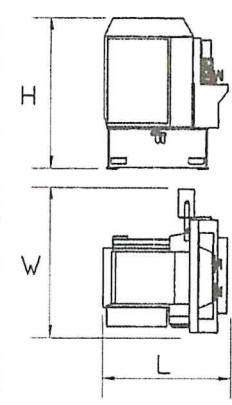
BENNETT DHG DRY GRINDING MACHINES

SPECIFICATION:

MODEL:	DHG-660	DHG-1000
MAX WIRE Ø	25	25
MAX SPRING Ø	200mm	400mm
WHEEL Ø	660mm	1000mm
MAX SPRING LENGTH	Unlimited	Unlimited
DUST EXTRACTION REQUIREMENT	43m³/min	72m³/min

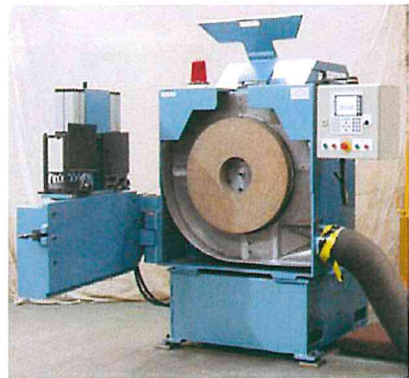
DIMENSIONS:

	DHG-660	DHG-1000
L	1450mm	2200mm
W	1600mm	2300mm
H	1700mm	2800mm
Nett Wt	1800Kg	3200Kg



STANDARD FEATURES INCLUDE:

- Servo driven Infeed
- PLC control with specially formulated infeed speed curve to ensure fast, efficient grinding of all spring types.
- Special spring sizing program
- Wheel wear facility
- Quick, easy dress facility
- End of cycle beacon
- DC braking of grinding wheel



QUICK & EASY WHEEL CHANGE

STANDARD EQUIPMENT:

- Set of clamping tools to suit full spring diameter range for each tooling station
- Wheel dresser unit

OPTIONAL EQUIPMENT:

- Dust extraction unit



SIMPLE PLC CONTROLS

Other Bennett Grinders for large wire diameters include:



Bennett Maxigrind



Bennett WHG-660



Bennett EG-36-H

Also
HST-75 spring trimming unit



BENNETT MAHLER LIMITED

FEB '08

2 Merse Road, North Moons Moat Industrial Estate, Redditch,
Worcestershire, B98 9HL England
Telephone: +44 1527-64444 or 62304 Fax: +44 1527-591668
Email: sales@bennettmahler.com Website: www.bennettmahler.com