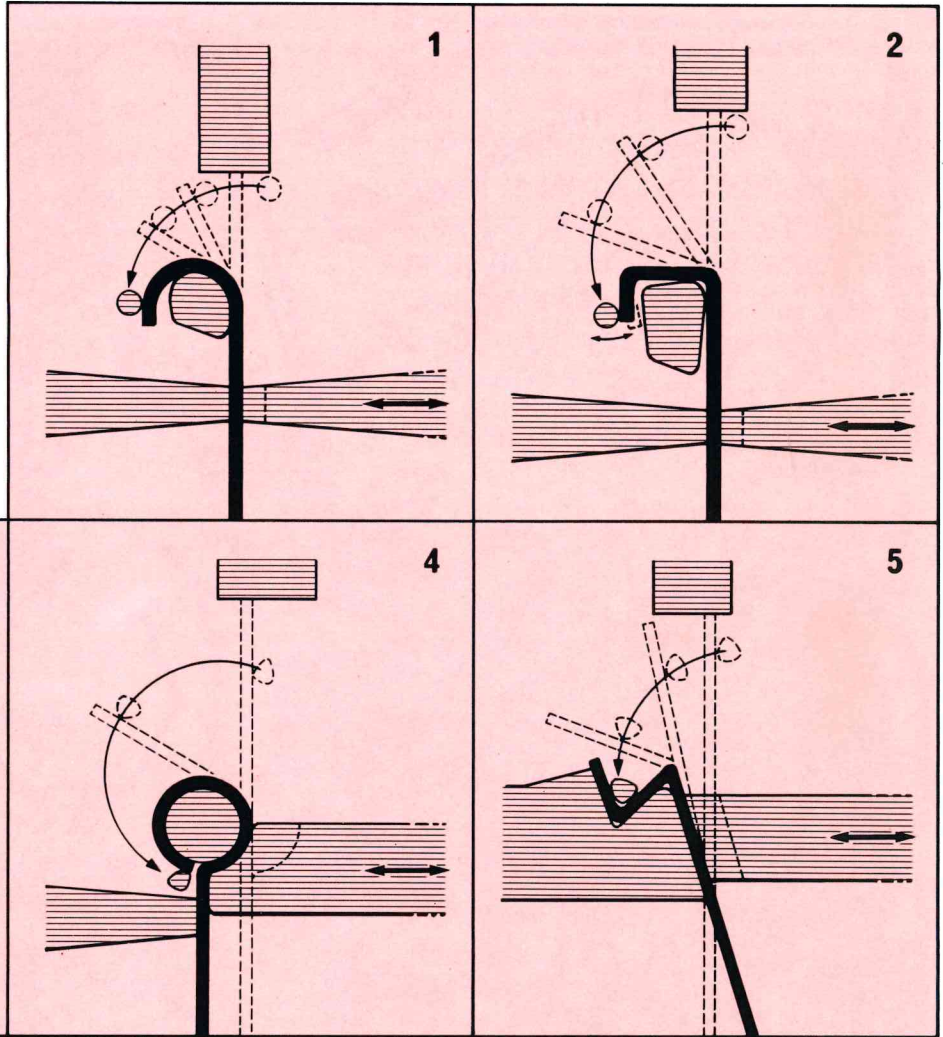
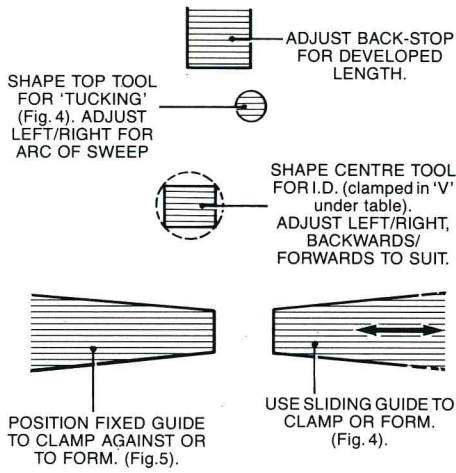


# TOOLING SET-UP TECHNIQUES



## SPECIFICATIONS

SPECIFICATIONS					SHIPPING SPECIFICATIONS				
TYPE	Max. wire size (H.D.)	Max. wire size (M.S.)	Min bow (H.D.)	Max. bow (H.D.)	Motor	Case Dimensions	Net Weight	Gross Weight	
HB. 1	1.5mm	2.25mm	3.1mm	25.4mm	N/A	33x31x27cm	10 Kgs.	15 Kgs.	
HB. 2	3.1mm	4.4mm	3.1mm	44.5mm	N/A	49x31x46cm	26 Kgs.	40 Kgs.	
HB. 3	4.7mm	6.1mm	3.1mm	63.5mm	N/A	49x39x56cm	56 Kgs.	65 Kgs.	
PB. 3	4.7mm	6.1mm	3.1mm	63.5mm	¾h.p. 400-440 200-250v. 3ph. 50Hz	87x64x66cm	189 Kgs.	212 Kgs.	
PB. 7	12.7mm	15.0mm	19.0mm	100.0mm	7½h.p. 400-440 200-250v. 3ph. 50Hz	137x51x122cm	568 Kgs.	637 Kgs.	
AB. 1	4.0mm	6.0mm	12.0mm	30.0mm	Air Powered	43x85x45cm	50 Kgs.	85 Kgs.	
AB. 2	6.4mm	8.0mm	16.0mm	75.0mm	Air Powered	43x100x140cm	151 Kgs.	186 Kgs.	
AB. 3	7.8mm	10.0mm	25.0mm	100.0mm	Air Powered	43x108x140cm	161 Kgs.	196 Kgs.	



# BENNETT MAHLER

BENNETT MAHLER LIMITED

Merse Road, North Moons Moat Industrial Estate,  
Redditch, Worcestershire, B98 9HL, U.K.

Tel: 44-527-64444 or 62304 Telex: 337116 BENMAH Fax: 44-527-591668